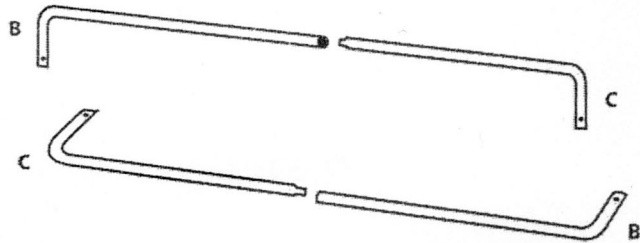
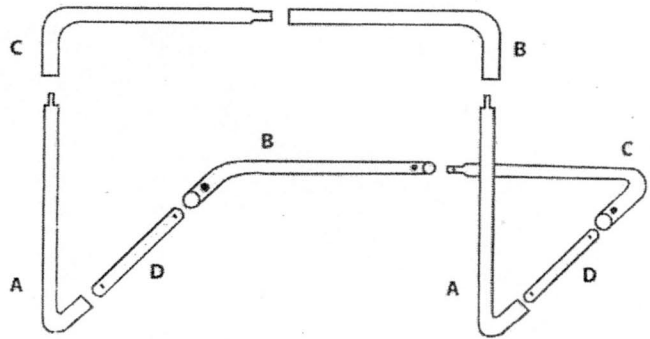




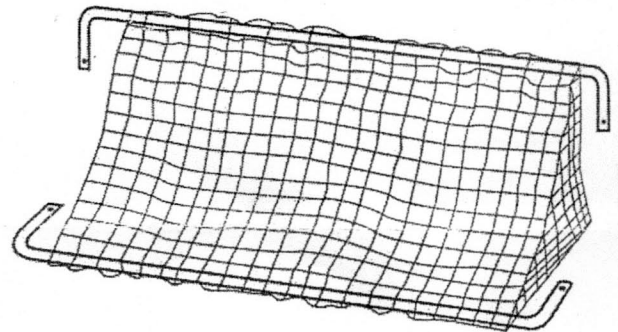
Parts List:

- A. Side Post (2)
- B. Corners (2)
- C. Corners w/snap button (2)
- D. Bottom Side Bars (2)
- E. Ground ANchors (4)
- F. Net (1)

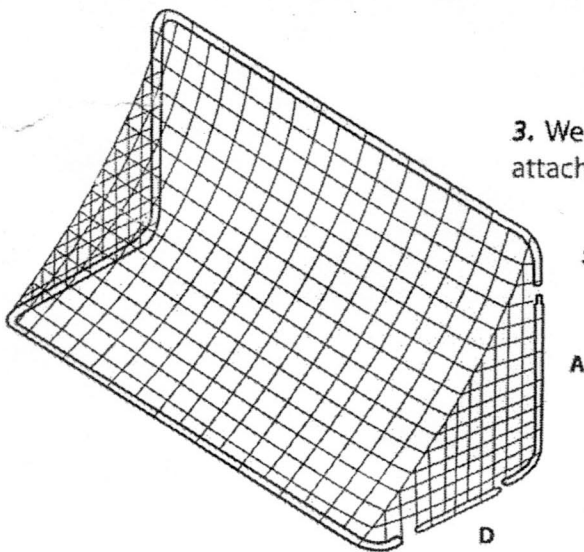


1. Assemble parts B with parts C.

2. Weave assembled parts B and C through net.



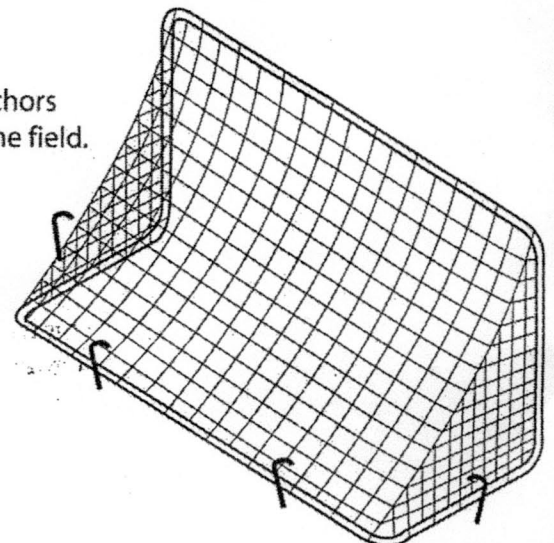
3. Weave both parts A through net and attach to top parts B and C.



STEP 3 & 4

4. Weave both parts D through net and attach them to parts A and bottom parts C and B.

5. Use ground anchors to fasten goal to the field.



CONSUMER PRODUCT SAFETY ALERT

Goals can tip over and cause injury when not properly anchored!

SAFETY SUGGESTIONS / GUIDELINES: Securely anchor goals at all times. Never climb on the net or goal framework. Disassemble and safely store goals when not in use. Inspect hardware and nets before every use. Replace damaged or missing parts immediately. Do not leave assembled goal unattended. Instruct players on the safe handling of and potential danger associated with the goal.